

128K x 8 Static RAM

Features

- Pin and function compatible with CY7C1019BV33
- High speed
 - $t_{AA} = 10 \text{ ns}$
- CMOS for optimum speed/power
- Data retention at 2.0V
- Center power/ground pinout
- Automatic power-down when deselected
- Easy memory expansion with \overline{CE} and \overline{OE} options
- Available in Pb-free and non Pb-free 48-ball VFBGA, 32-pin TSOP II and 400-mil SOJ package

Functional Description

The CY7C1019CV33 is a high-performance CMOS static RAM organized as 131,072 words by 8 bits. Easy memory expansion is provided by an active LOW Chip Enable (\overline{CE}), an active LOW Output Enable (\overline{OE}), and tri-state drivers. This

device has an automatic power-down feature that significantly reduces power consumption when deselected.

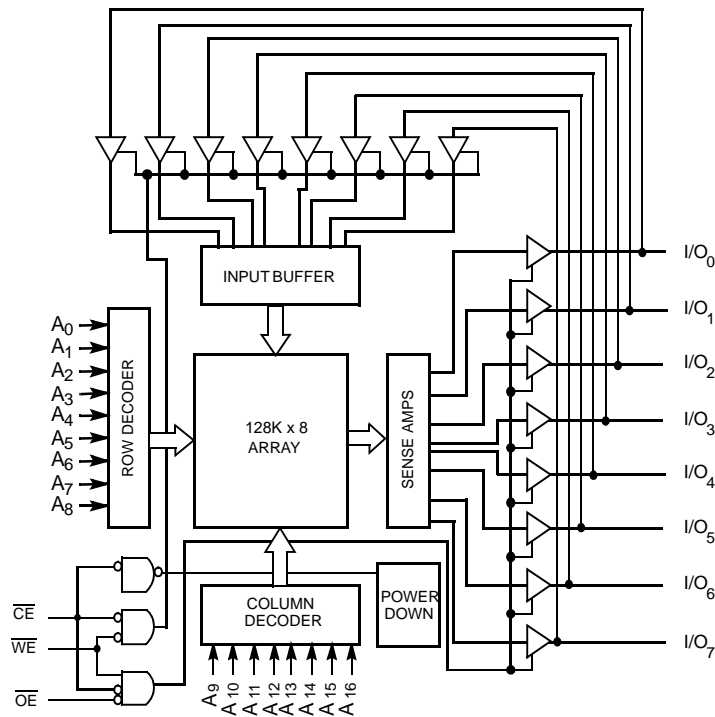
Writing to the device is accomplished by taking Chip Enable (\overline{CE}) and Write Enable (\overline{WE}) inputs LOW. Data on the eight I/O pins (I/O_0 through I/O_7) is then written into the location specified on the address pins (A_0 through A_{16}).

Reading from the device is accomplished by taking Chip Enable (\overline{CE}) and Output Enable (\overline{OE}) LOW while forcing Write Enable (\overline{WE}) HIGH. Under these conditions, the contents of the memory location specified by the address pins will appear on the I/O pins.

The eight input/output pins (I/O_0 through I/O_7) are placed in a high-impedance state when the device is deselected (\overline{CE} HIGH), the outputs are disabled (\overline{OE} HIGH), or during a write operation (\overline{CE} LOW, and \overline{WE} LOW).

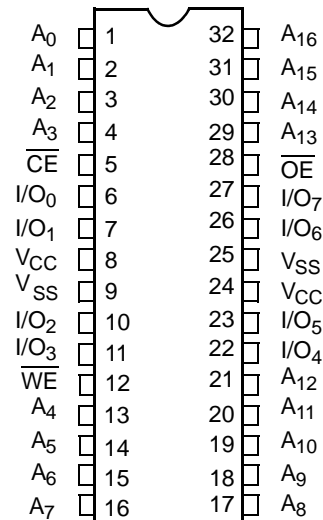
The CY7C1019CV33 is available in Standard 48-ball FBGA, 32-pin TSOP II and 400-mil-wide SOJ packages

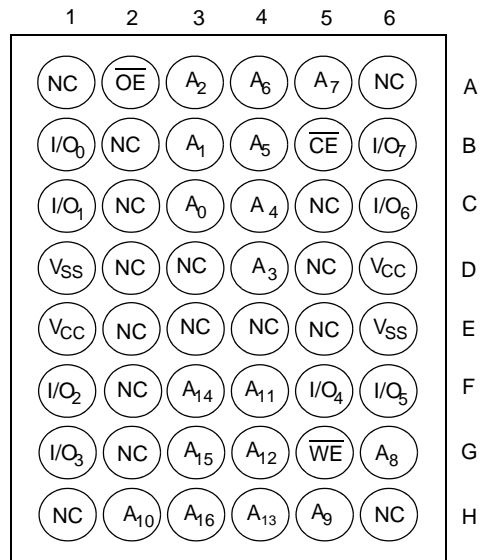
Logic Block Diagram



Pin Configuration

SOJ/TSOP II Top View



Pin Configuration^[1]
**48-ball VFBGA
(Top View)**

Selection Guide

	-10	-12	-15	Unit
Maximum Access Time	10	12	15	ns
Maximum Operating Current	80	75	70	mA
Maximum Standby Current	5	5	5	mA

Note:

1. NC pins are not connected on the die.

Maximum Ratings

(Above which the useful life may be impaired. For user guidelines, not tested.)

Storage Temperature -65°C to +150°C
 Ambient Temperature with Power Applied..... -55°C to +125°C
 Supply Voltage on V_{CC} to Relative GND^[2] -0.5V to +4.6V
 DC Voltage Applied to Outputs in High-Z State^[2] -0.5V to V_{CC} + 0.5V
 DC Input Voltage^[2]..... -0.5V to V_{CC} + 0.5V

Current into Outputs (LOW)..... 20 mA
 Static Discharge Voltage..... >2001V (per MIL-STD-883, Method 3015)
 Latch-up Current..... >200 mA

Operating Range

Range	Ambient Temperature	V _{CC}
Commercial	0°C to +70°C	3.3V ± 10%
Industrial	-40°C to +85°C	3.3V ± 10%

Electrical Characteristics Over the Operating Range

Parameter	Description	Test Conditions	-10		-12		-15		Unit
			Min.	Max.	Min.	Max.	Min.	Max.	
V _{OH}	Output HIGH Voltage	V _{CC} = Min., I _{OH} = -4.0 mA	2.4		2.4		2.4		V
V _{OL}	Output LOW Voltage	V _{CC} = Min., I _{OL} = 8.0 mA		0.4		0.4		0.4	V
V _{IH}	Input HIGH Voltage		2.0	V _{CC} + 0.3	2.0	V _{CC} + 0.3	2.0	V _{CC} + 0.3	V
V _{IL}	Input LOW Voltage ^[2]		-0.3	0.8	-0.3	0.8	-0.3	0.8	V
I _{IX}	Input Leakage Current	GND ≤ V _I ≤ V _{CC}	-1	+1	-1	+1	-1	+1	μA
I _{OZ}	Output Leakage Current	GND ≤ V _I ≤ V _{CC} , Output Disabled	-1	+1	-1	+1	-1	+1	μA
I _{CC}	V _{CC} Operating Supply Current	V _{CC} = Max., I _{OUT} = 0 mA, f = f _{MAX} = 1/t _{RC}		80		75		70	mA
I _{SB1}	Automatic CE Power-down Current —TTL Inputs	Max. V _{CC} , CE ≥ V _{IH} , V _{IN} ≥ V _{IH} or V _{IN} ≤ V _{IL} , f = f _{MAX}		15		15		15	mA
I _{SB2}	Automatic CE Power-down Current —CMOS Inputs	Max. V _{CC} , CE ≥ V _{CC} - 0.3V, V _{IN} ≥ V _{CC} - 0.3V, or V _{IN} ≤ 0.3V, f = 0		5		5		5	mA

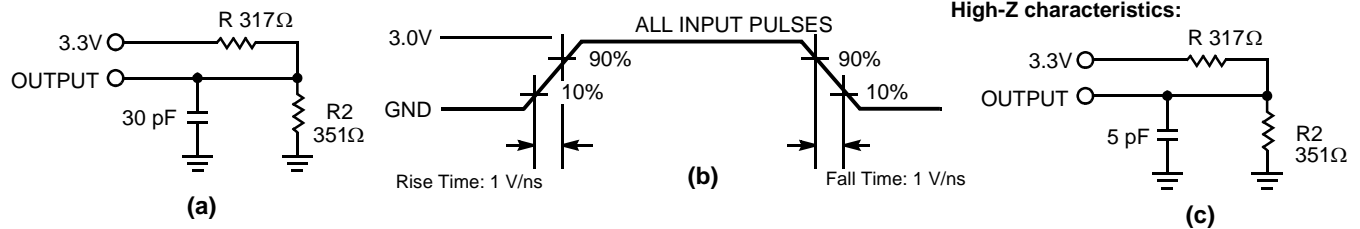
Capacitance^[3]

Parameter	Description	Test Conditions	Max.	Unit
C _{IN}	Input Capacitance	T _A = 25°C, f = 1 MHz, V _{CC} = 5.0V	8	pF
C _{OUT}	Output Capacitance		8	pF

Notes:

- V_{IL} (min.) = -2.0V for pulse durations of less than 20 ns.
- Tested initially and after any design or process changes that may affect these parameters.

AC Test Loads and Waveforms^[4]

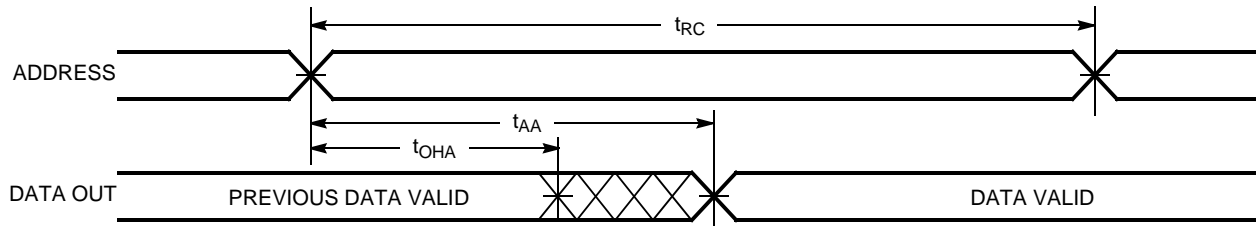
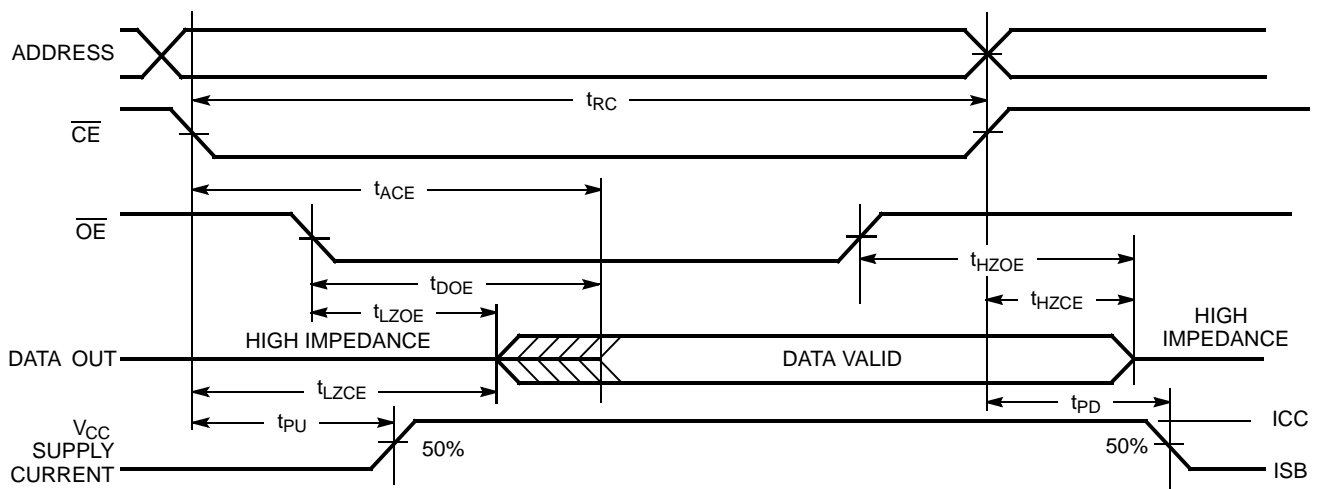
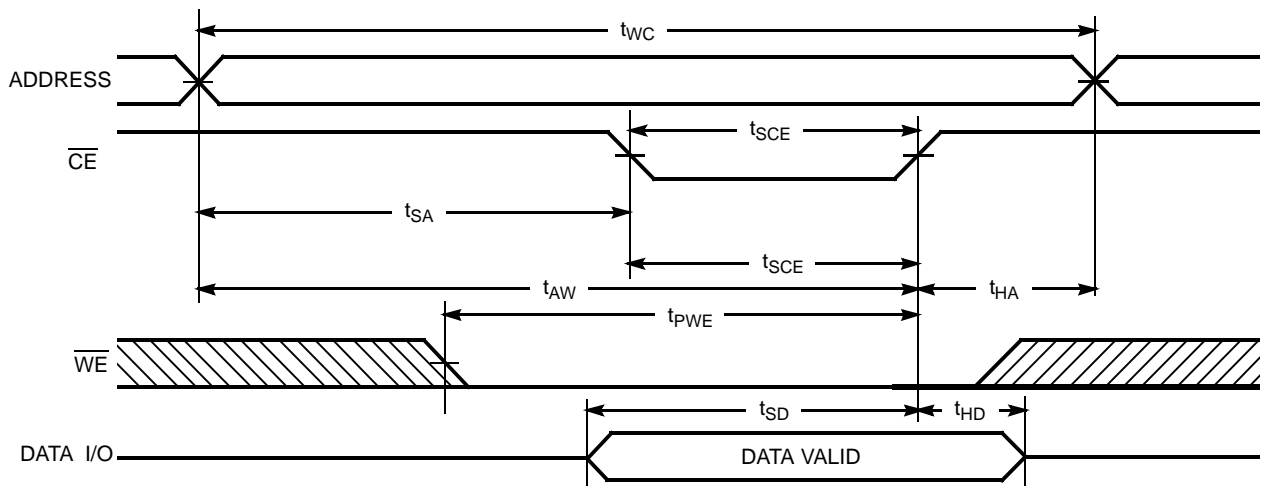


Switching Characteristics Over the Operating Range^[5]

Parameter	Description	-10		-12		-15		Unit
		Min.	Max.	Min.	Max.	Min.	Max.	
Read Cycle								
t _{RC}	Read Cycle Time	10		12		15		ns
t _{AA}	Address to Data Valid		10		12		15	ns
t _{OHA}	Data Hold from Address Change	3		3		3		ns
t _{ACE}	\overline{CE} LOW to Data Valid		10		12		15	ns
t _{DOE}	\overline{OE} LOW to Data Valid		5		6		7	ns
t _{LZOE}	\overline{OE} LOW to Low Z	0		0		0		ns
t _{HZOE}	\overline{OE} HIGH to High Z ^[6, 7]		5		6		7	ns
t _{LZCE}	\overline{CE} LOW to Low Z ^[7]	3		3		3		ns
t _{HZCE}	\overline{CE} HIGH to High Z ^[6, 7]		5		6		7	ns
t _{PU} ^[8]	\overline{CE} LOW to Power-Up	0		0		0		ns
t _{PD} ^[8]	\overline{CE} HIGH to Power-Down		10		12		15	ns
Write Cycle ^[9, 10]								
t _{WC}	Write Cycle Time	10		12		15		ns
t _{SCE}	\overline{CE} LOW to Write End	8		9		10		ns
t _{AW}	Address Set-Up to Write End	8		9		10		ns
t _{HA}	Address Hold from Write End	0		0		0		ns
t _{SA}	Address Set-Up to Write Start	0		0		0		ns
t _{PWE}	\overline{WE} Pulse Width	7		8		10		ns
t _{SD}	Data Set-Up to Write End	5		6		8		ns
t _{HD}	Data Hold from Write End	0		0		0		ns
t _{LZWE}	\overline{WE} HIGH to Low Z ^[7]	3		3		3		ns
t _{HZWE}	\overline{WE} LOW to High Z ^[6, 7]		5		6		7	ns

Notes:

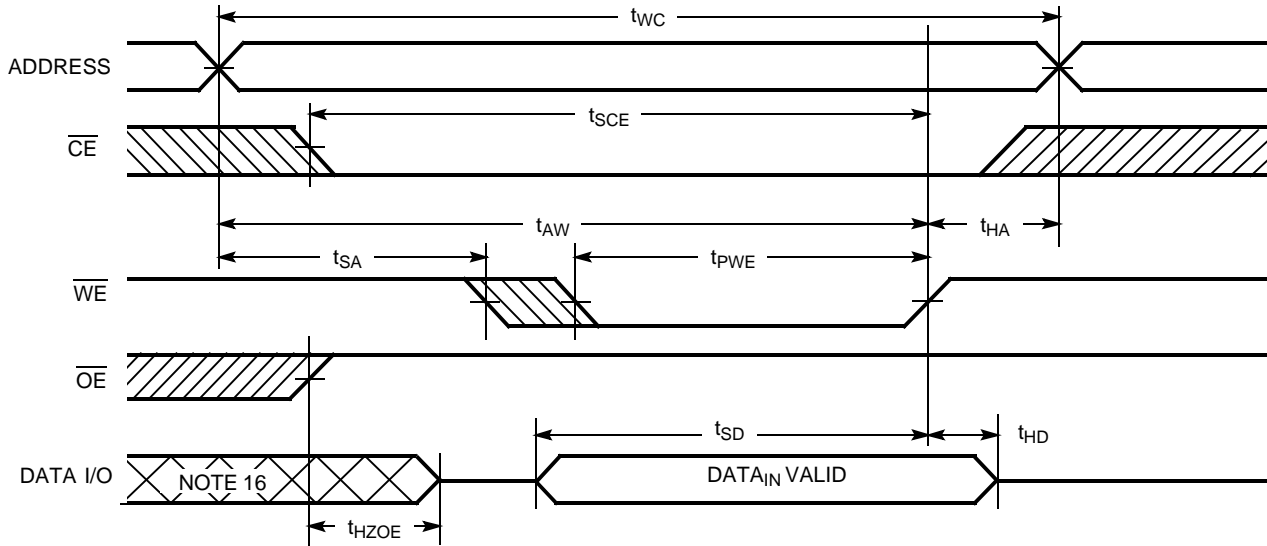
- AC characteristics (except High-Z) for all speeds are tested using the Thevenin load shown in Figure (a). High-Z characteristics are tested for all speeds using the test load shown in Figure (c).
- Test conditions assume signal transition time of 3 ns or less, timing reference levels of 1.5V, input pulse levels of 0 to 3.0V.
- t_{HZOE}, t_{HZCE}, and t_{HZWE} are specified with a load capacitance of 5 pF as in part (d) of AC Test Loads. Transition is measured ±500 mV from steady-state voltage.
- At any given temperature and voltage condition, t_{HZCE} is less than t_{LZCE}, t_{HZOE} is less than t_{LZOE}, and t_{HZWE} is less than t_{LZWE} for any given device.
- This parameter is guaranteed by design and is not tested.
- The internal write time of the memory is defined by the overlap of \overline{CE} LOW and \overline{WE} LOW. \overline{CE} and \overline{WE} must be LOW to initiate a write, and the transition of any of these signals can terminate the write. The input data set-up and hold timing should be referenced to the leading edge of the signal that terminates the write.
- The minimum write cycle time for Write Cycle no. 3 (\overline{WE} controlled, \overline{OE} LOW) is the sum of t_{HZWE} and t_{SD}.

Switching Waveforms
Read Cycle No. 1^[11, 12]

Read Cycle No. 2 ($\overline{\text{OE}}$ Controlled)^[12, 13]

Write Cycle No. 1 ($\overline{\text{CE}}$ Controlled)^[14, 15]

Notes:

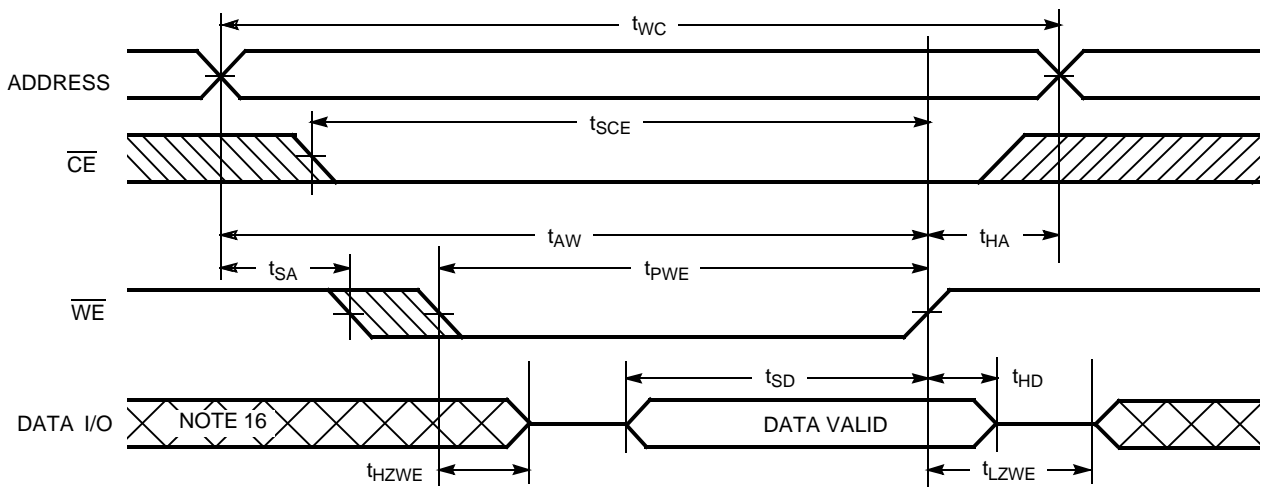
11. Device is continuously selected. $\overline{\text{OE}}, \overline{\text{CE}} = V_{\text{IL}}$.
12. $\overline{\text{WE}}$ is HIGH for read cycle.
13. Address valid prior to or coincident with $\overline{\text{CE}}$ transition LOW.
14. Data I/O is high impedance if $\overline{\text{OE}} = V_{\text{IH}}$.
15. If $\overline{\text{CE}}$ goes HIGH simultaneously with $\overline{\text{WE}}$ going HIGH, the output remains in a high-impedance state.

Switching Waveforms (continued)

Write Cycle No. 2 ($\overline{\text{WE}}$ Controlled, $\overline{\text{OE}}$ HIGH During Write)^[14, 15]



Write Cycle No. 3 ($\overline{\text{WE}}$ Controlled, $\overline{\text{OE}}$ LOW)^[15]



Truth Table

$\overline{\text{CE}}$	$\overline{\text{OE}}$	$\overline{\text{WE}}$	I/O ₀ -I/O ₇	Mode	Power
H	X	X	High Z	Power-Down	Standby (I _{SB})
L	L	H	Data Out	Read	Active (I _{CC})
L	X	L	Data In	Write	Active (I _{CC})
L	H	H	High Z	Selected, Outputs Disabled	Active (I _{CC})

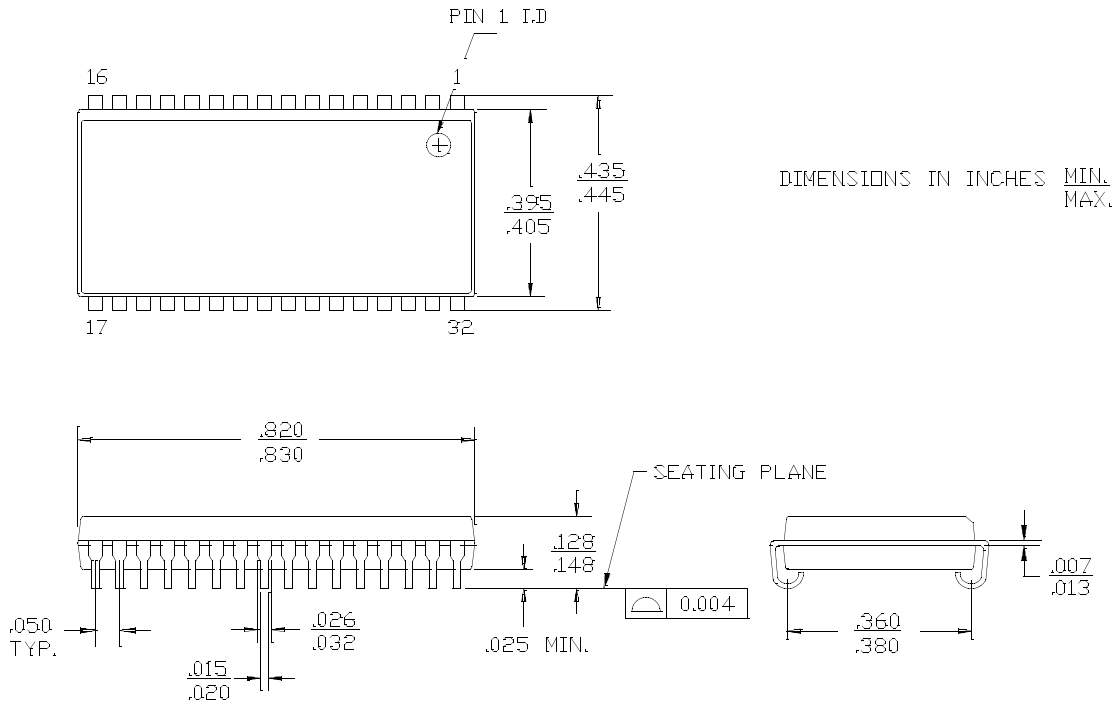
Note:
16. During this period the I/Os are in the output state and input signals should not be applied.

Ordering Information

Speed (ns)	Ordering Code	Package Diagram	Package Type	Operating Range
10	CY7C1019CV33-10VC	51-85033	32-pin 400-Mil Molded SOJ	Commercial
	CY7C1019CV33-10ZXC	51-85095	32-pin TSOP II (Pb-Free)	
	CY7C1019CV33-10ZXI		32-pin TSOP II (Pb-Free)	Industrial
12	CY7C1019CV33-12VC	51-85033	32-pin 400-Mil Molded SOJ	Commercial
	CY7C1019CV33-12ZC	51-85095	32-pin TSOP II	
	CY7C1019CV33-12ZXC		32-pin TSOP II (Pb-Free)	
	CY7C1019CV33-12VI	51-85033	32-pin 400-Mil Molded SOJ	Industrial
	CY7C1019CV33-12BVXI	51-85150	48-ball VFBGA (Pb-Free)	
15	CY7C1019CV33-15VC	51-85033	32-pin 400-Mil Molded SOJ	Commercial
	CY7C1019CV33-15VXC	51-85033	32-pin 400-Mil Molded SOJ (Pb-Free)	
	CY7C1019CV33-15ZXC	51-85095	32-pin TSOP II (Pb-Free)	Industrial
	CY7C1019CV33-15ZXI	51-85095	32-pin TSOP II (Pb-Free)	

Package Diagrams

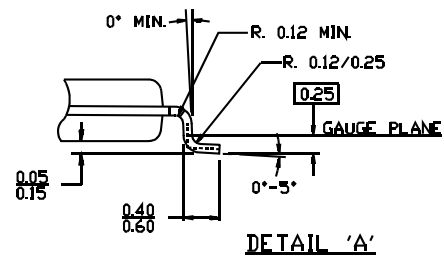
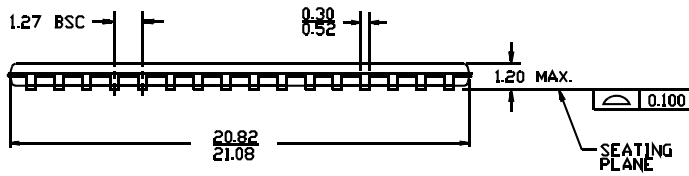
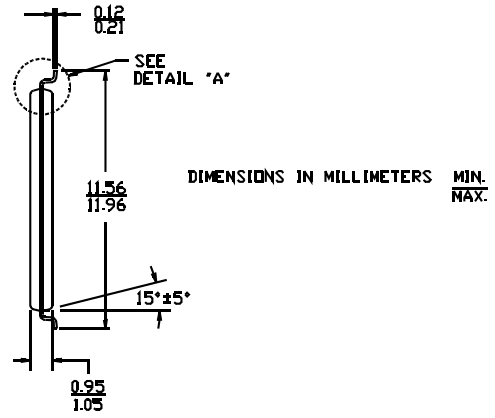
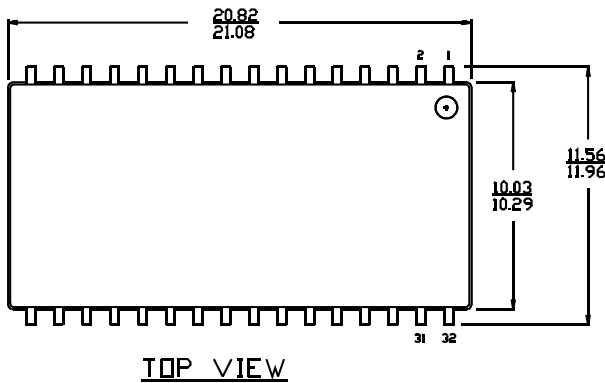
32-pin (400-Mil) Molded SOJ (51-85033)



51-85033-B

Package Diagrams (continued)

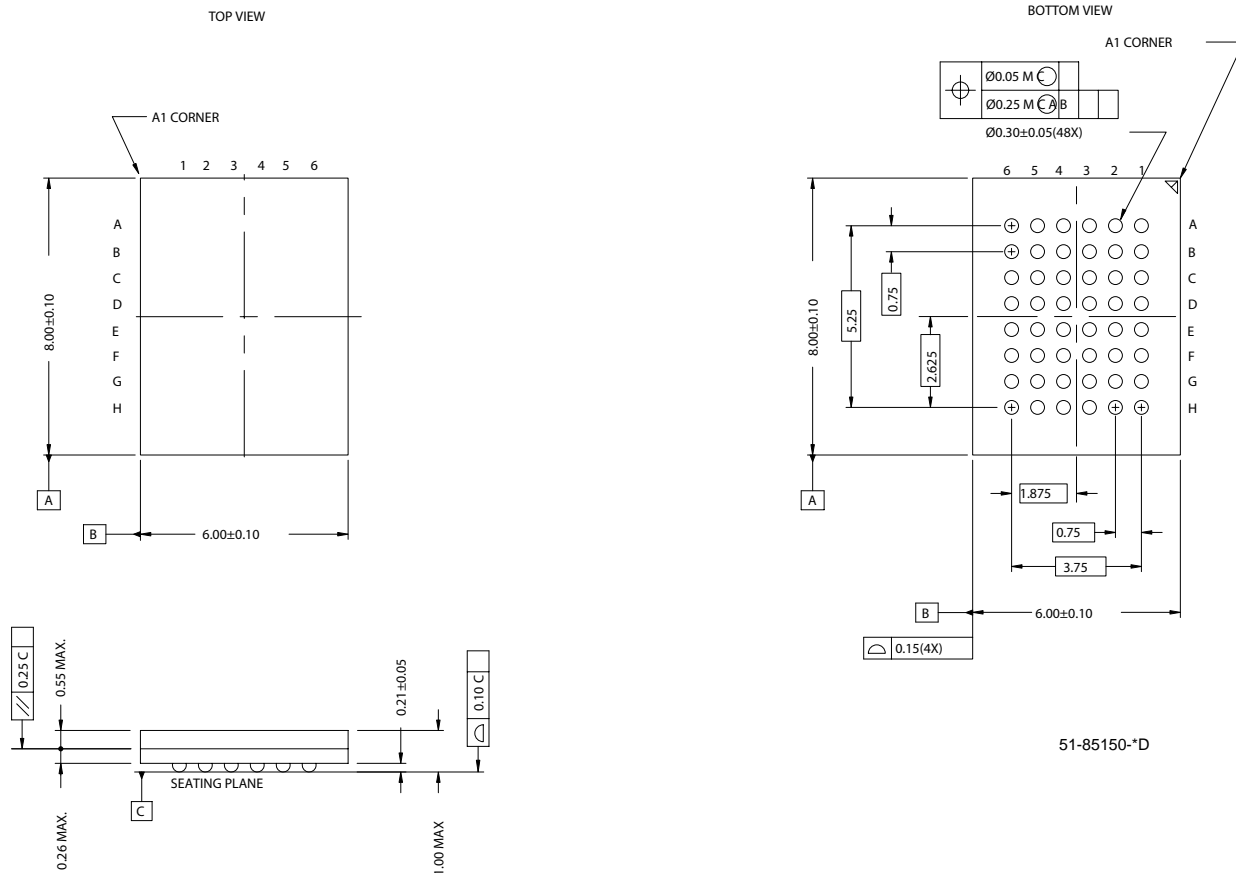
32-pin TSOP II (51-85095)



51-85095-**

Package Diagrams (continued)

48-ball VFBGA (6 x 8 x 1 mm) (51-85150)



51-85150-D

All product and company names mentioned in this document are the trademarks of their respective holders.

Document History Page

Document Title: CY7C1019CV33 128K x 8 Static RAM Document Number: 38-05130				
REV.	ECN NO.	Issue Date	Orig. of Change	Description of Change
**	109245	12/16/01	HGK	New Data Sheet
*A	113431	04/10/02	NSL	AC Test Loads split based on speed
*B	115047	08/01/02	HGK	Added TSOP II Package and I Temp. Improved I _{CC} limits
*C	119796	10/11/02	DFP	Updated standby current from 5 nA to 5 mA
*D	123030	12/17/02	DFP	Updated Truth Table to reflect single Chip Enable option
*E	419983	See ECN	NXR	Added 48-ball VFBGA Package Added lead-free parts in Ordering Information Table Replaced Package Name column with Package Diagram in the Ordering Information Table
*F	493543	See ECN	NXR	Removed 8 ns speed bin from Product offering Added note #1 on page #2 Changed the description of I _{Ix} from Input Load Current to Input Leakage Current in DC Electrical Characteristics table Removed I _{OS} parameter from DC Electrical Characteristics table Updated Ordering Information